



Shandong Taishan Sports Equipment Co.,Ltd

Installation Of Uneven Bars for Children TQ2012

Web : www.taishansports.cn

Precautions for use

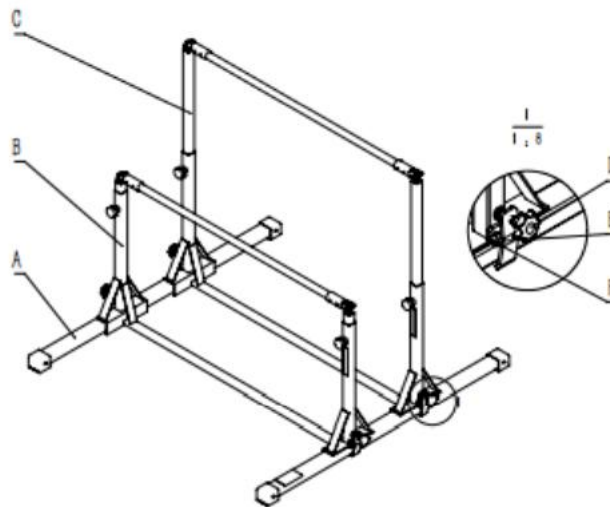
1. For gymnastic only, it should be used under the guidance and supervision of professionals;
2. Children under 5 years of age are not allowed to use it;
3. It shall not be used by more than one person at the same time, maximum load 300Kg;
4. For indoor use only;
5. Please install and use special protective mat;
6. Before using, check all parts of the equipment with good condition, lock firmly, Replace the parts in case of damage;
7. The bars are the most dangerous parts, check carefully before use. In case of any damage, stop to use;
8. In case of abnormal sound and loose parts, stop using immediately;
9. Lock the equipment firmly after adjustment.
10. No adjustment during use;
11. The bar cannot be excessive polished;
12. The surface of bars should be cared and timely cleaned;
13. Warm up before using the equipment, stop using if you feel unwell;
14. No knock and scratch with hard object;
15. Wipe the surface of equipment with neutral detergent and clean water.

Product Introduction

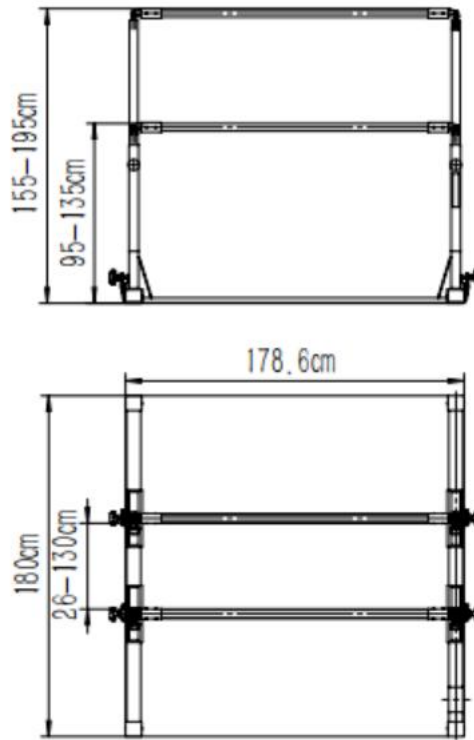
This uneven bars are specially designed for children training. The connection parts are connected with special standard fasteners, easy to install. The nylon spacers are used between the bars and regulating pipe to reduce noise during use. Special locking handles are equipped onto the columns, so the height of bars can be adjusted promptly. Special fastening devices between the columns and base make the adjustment of distance between bars easy and swift.

Product Parameter :

1. Outline dimension 180cm x 178.6cm, height adjustment of low bar 95-135cm, high bar 155-195cm, adjustment gradient 5cm.
2. Parameters of bars: Length 170cm, diameter 4cm, distance between two bars 26cm-130cm.


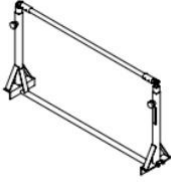
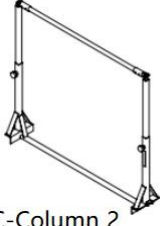

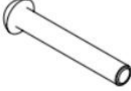






A-Base B-Column 1 C-Column 2 D-Fixing part E-Screw F-Nut



Installation Instructions:

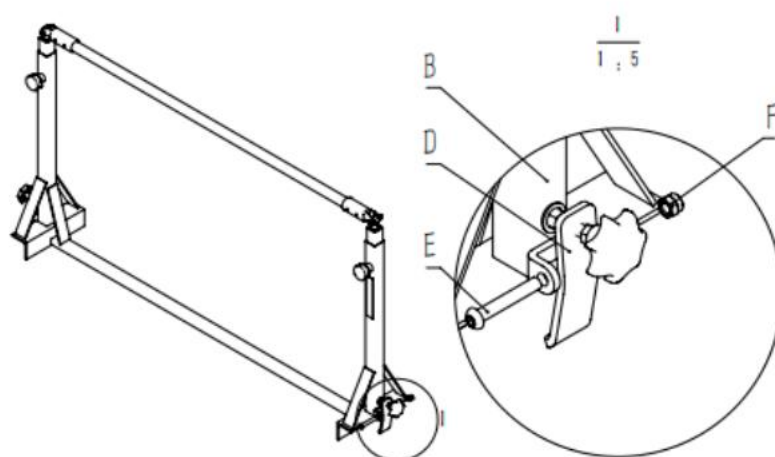
Packing list:

 <p>A-Base 2 pieces</p>	 <p>B-Column 1 1 piece</p>	 <p>C-Column 2 1 piece</p>
 <p>D-Fixing part 4 pieces</p>	 <p>E-Screw 4 pieces</p>	 <p>F-Nut 4 pieces</p>
 <p>G-Wrench 1 1 piece</p>	 <p>H-Wrench 2 1 piece</p>	 <p>I-Adjustment part (spare) 1 piece</p>

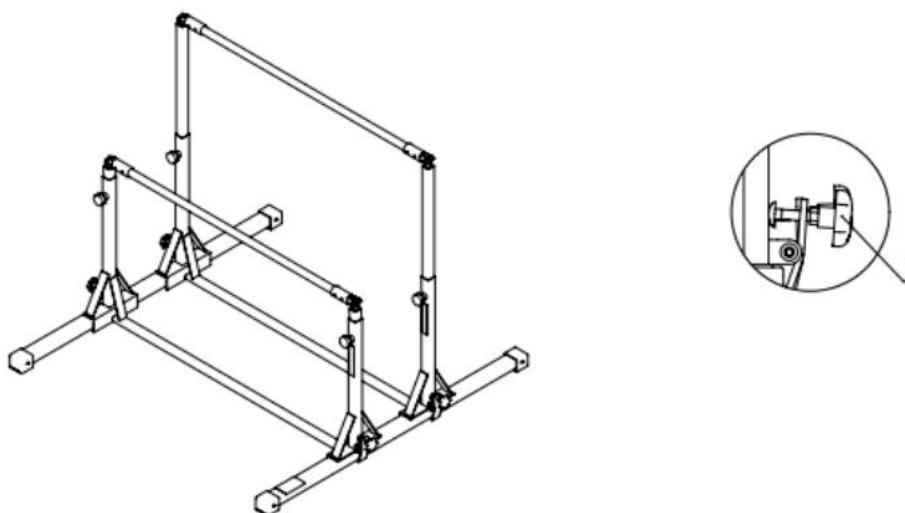
Installation Procedure:

- 1) Place the base on level and firm ground.
- 2) Fix the spare parts with wrench according to the figure below.

Note: The bars have already been installed onto the base before delivery.



- 3) Install the columns onto the base symmetrically, and then fixed the regulating pipe with the rotary knob.

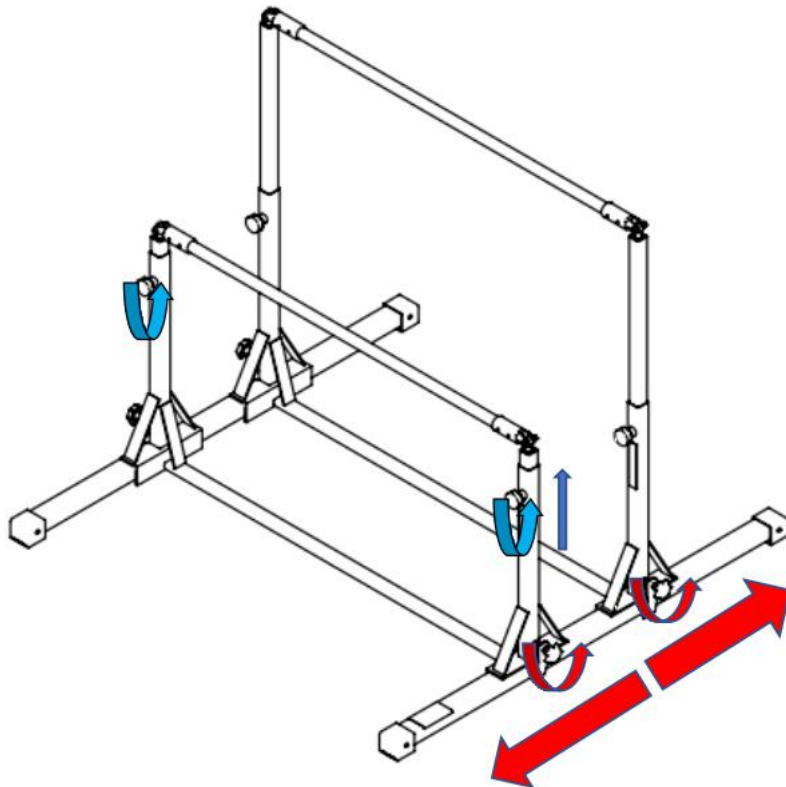


Instruction for use

This product is specially used for uneven bars training for children.

Adjustment Description:

1. Height adjustment: Turn and loosen the rotary knob as shown in the figure below, and then pull the rotary knob a little, move the regulating pipe to the appropriate height. Once achieve the wanted height, push back the rotary knob and fasten it.
2. Width adjustment: Turn and loosen the rotary knob, and then pull the rotary knob a little, move the columns symmetrically. Once achieve the wanted width, push back the rotary knob and fasten it.



Maintenance:

- 1) During the use, all the connecting parts of the product should be checked regularly for looseness and falling off. If found, they should be tightened or replaced in time to ensure the safety of use.
- 2) When there are stains, wipe gently with towel dipped in a little water.
- 3) After one year of use, it is recommended to use the product after professional inspection.

Quality Guarantee:

- 1) The warranty period (from the date of delivery) of the equipment is shown in the table below:

No.	Name	Warranty period	Note
1	Base	3 years	Exclude the floor pad.
2	Columns	3 year	
3	Bars	1 year or 100,000times	

- 2) Equipment damage caused by improper use or failure to maintain as required shall be borne by users themselves.
- 3) The equipment surface coating damage caused by scratch or bump is not covered by the warranty.
- 4) Beyond the warranty period, we provide free technical support service and

paid on-site maintenance service.

Tools and spare parts:

No.	Name	Specification	Qty.	Note
1	Single head wrench	19	1	
2	Internal hexagonal wrench	8	1	
3	Adjustment part		1	Spare parts